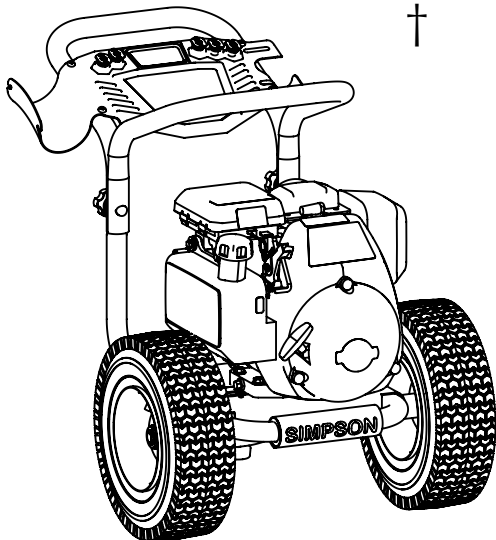


ITEM	PART NO.	DESCRIPTION	QTY
1	7107844	FRAME BASE, MSH3224 W/LABELS	1
2	7107261	HANDLE REAR, SERVICE ASSEMBLY WITH LABEL	1
† 2.1		HANDLE, REAR 18GA. 11.75" C-C BLACK	1
† 2.2		PLATE, DASHBOARD SILVER	1
† 2.3		HOLDER, NOZZLE 2PC RUBBER STRIP	1
† 2.4		HOLDER, NOZZLE 3PC RUBBER STRIP	1
† 2.5		SCREW, TORX PANHEAD 1/4"-20 x 3/4"	4
3	7107845	HANDLE, QUICK START W/LABEL	1
4	7106183	ENGINE, SERVICE ASSEMBLY HONDA GC190	1
5	7104174	KEY, SHAFT 3/16" x 3/16" x 1 1/4"	1
¶ 6	7106900	PUMP, SERVICE ASSMBLY	1
6.1	520002	PUMP, 3100@2.4 HORIZ-AXIAL P/BOOST BRASS	1
† 6.2		CAP, UNLOADER COVER 1 1/2" x 5/8" BLACK	1
† 6.3		BOLT 5/16"-24 x 1" HHCS GR5	4
† 6.4		WASHER, SPLIT-LOCK 5/16" RUST RESISTANT	4
7	7105376	KIT, 10" WHEEL SERVICE	2
† 7.1		WHEEL, 13" BLACK	1
† 7.2		WASHER, 5/8" FLAT	1
† 7.3		CLIP, E-TYPE 0.625" x 0.042"	1
8	7103292	KIT, 5/8" TALL FOOT	2
† 8.1		FOOT, RUBBER 1.5"ODx.625"-5/16 INSERT	1
† 8.2		SCREW, TORX PANHEAD 1/4"-20 x 3/4"	1
9	7103750	MOUNTING KIT, ENGINE	1
† 9.1		BOLT, FLANGE 5/16"-18 x 1 3/4" HHFB	4
† 9.2		NUT, WHIZ 5/16"-18	4
10	7105474	HARDWARE KIT, PUMP MOUNTING	1
† 10.1		BOLT 5/16"-24 x 1" HHCS GR5	4
† 10.2		WASHER, SPLIT-LOCK 5/16" RUST RESISTANT	4
11	7104570	HARDWARE KIT, HANDLE MOUNTING	2
† 11.1		BOLT, SADDLE 5/16"-18 x 2"	1
† 11.2		KNOB, HANDLE 5/16-18	1
12	7104818	NOZZLE KIT, 2.8 5PC	1
13	7105186	HANDLE GRIP, SILVER	1
14	7106275	TRIGGER SPRAY GUN 4500PSI @ 6.6GPM M22(M) x M22(F)	1
15	7103550	LANCE, 16" W/ 1/4" QC-F x M22(M)	1
16	7107081	HOSE, 1/4" x 25' x 4000PSI WIRE BRAID	1
17	104049	M22 ADAPTOR 14/15MM	1
18	7102207	SOAP HOSE AND FILTER KIT	1
* 19	7102045	TOOL, NOZZLE CLEANING, UNIVERSAL	1
* 20	7107243	MANUAL, MSH3224 MODEL SPECIFIC OPERATOR'S	1
* 21	7107239	BOX, MSH3224 MODEL SPECIFIC SHIPPING	1

\* NOT SHOWN

† NOT SOLD SEPERATELY



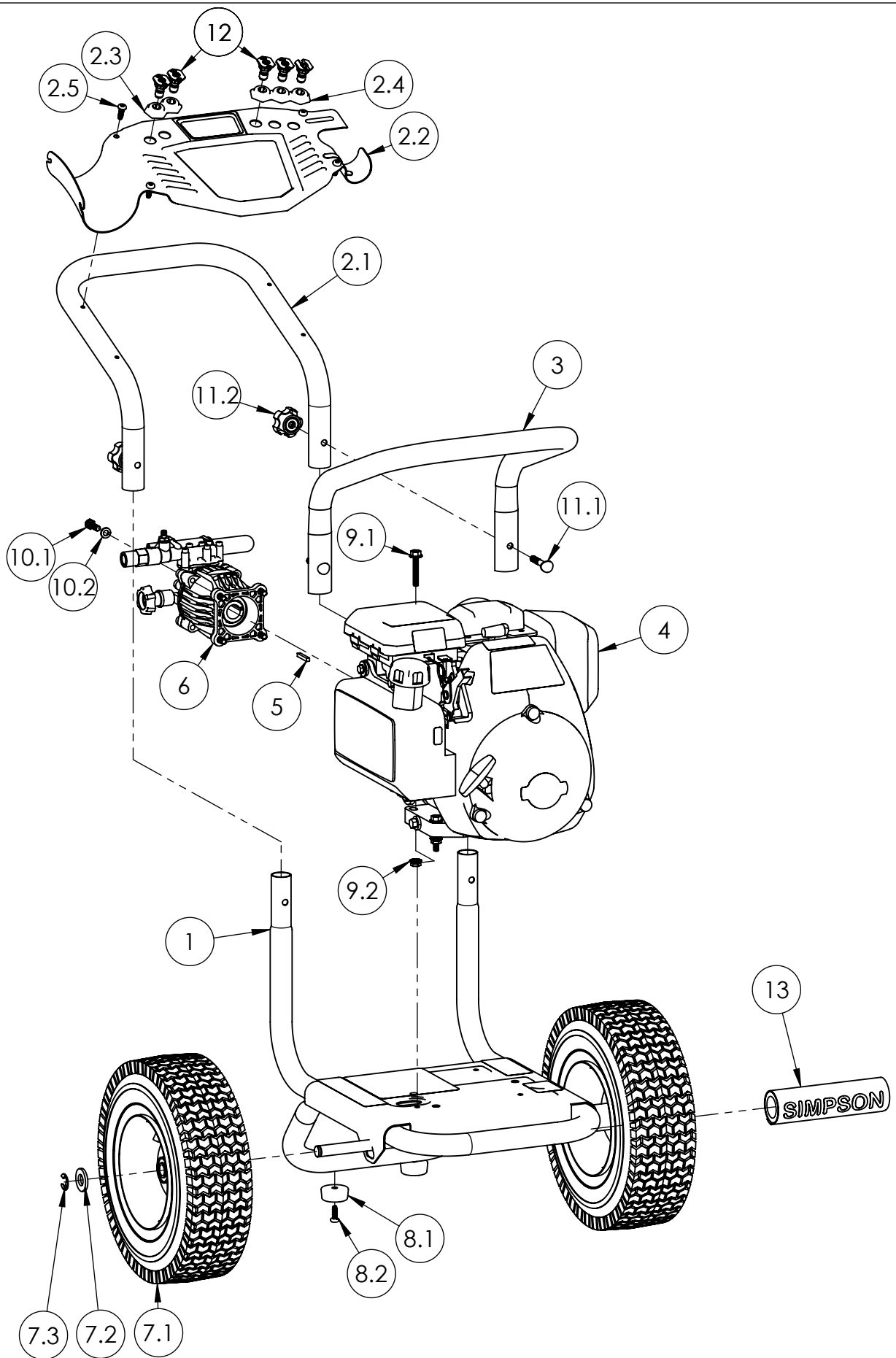
PUMP INFORMATION TABLE			
MACHINE SERIAL NO.	PUMP TYPE	PUMP PART NO.	PUMP KIT NO.
748485 TO PRESENT	3100PSI @ 2.4GPM	520002	7106900

**ONLY LATEST VERSION OF PUMP IS AVAILABLE FOR REPLACEMENT**

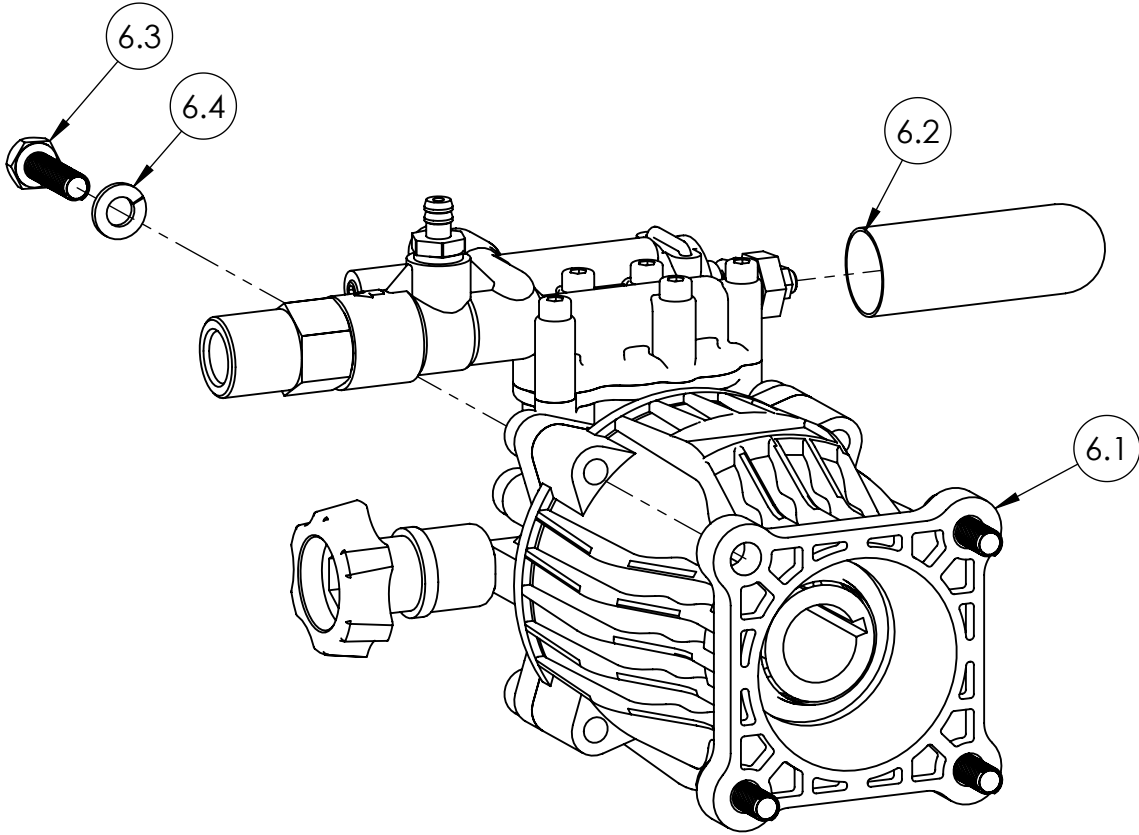
	NAME	DATE
DRAWN	TV	5/5/2014
CHECKED	M.G.	5/6/2014
ENG APPR.	S.A.C.	5/6/2014
MFG APPR.	J.P.	9/30/2013
Q.A. APPR.	J.C.	5/6/2014
SERVICE APPR.	D.H.	9/29/2013

**PROPRIETARY AND CONFIDENTIAL**  
 THE INFORMATION CONTAINED IN THIS DRAWING IS THE SOLE PROPERTY OF FNA-GROUP. ANY REPRODUCTION IN PART OR AS A WHOLE WITHOUT THE WRITTEN PERMISSION OF FNA-GROUP IS PROHIBITED.

FNA-GROUP		
1265 INDUSTRIAL STREET, DECATUR, AR 72722		
TITLE:		
<b>MSH3224 3200PSI @ 2.4GPM</b>		
SIZE	DWG. NO.	REV.
<b>A</b>	<b>60693-S</b>	<b>B</b>
SCALE: N/A	ECN# DC14-0112	SHEET 1 OF 9



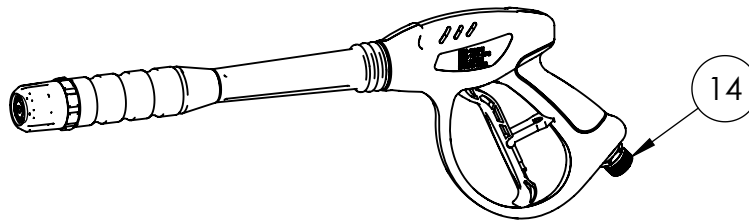
SIZE	DWG. NO.	REV.
<b>A</b>	60693-S	<b>B</b>
SCALE: N/A	ECN# DC14-0112	SHEET 2 OF 9



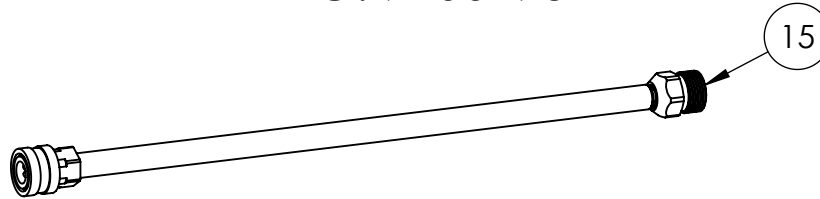
PUMP, SVC ASSY  
PART NO. 7106900

ITEM	PART NO.	DESCRIPTION	QTY
6.1	520002	PUMP, 3100@2.4 HORIZ-AXIAL P/BOOST BRASS	1
6.2		CAP, UNLOADER COVER 1 1/2" x 5/8" BLACK	1
6.3		BOLT 5/16"-24 x 1" HHCS GR5	4
6.4		WASHER, SPLIT-LOCK 5/16" RUST RESISTANT	4
* 5	7104174	KEY, SHAFT 3/16" x 3/16" x 1 1/4"	1

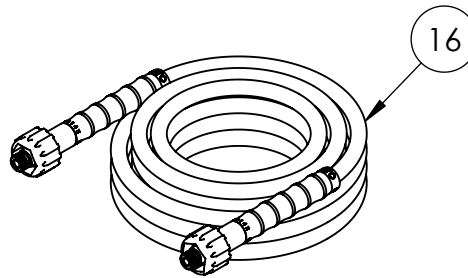
\* NOT SHOWN



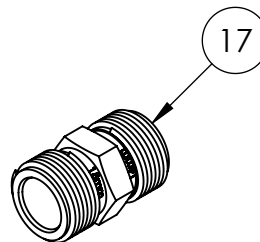
TRIGGER SPRAY GUN 4500PSI @ 6.6GPM M22(M) x M22(F)  
PART NO. 7106275



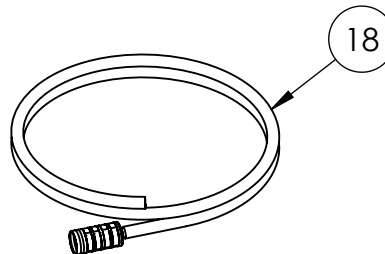
LANCE, 16" W/ 1/4"QC(F) x M22(M)  
PART NO. 7103550



HOSE, 1/4" x 25' x 4000PSI WIRE BRAID  
PART NO. 7107081

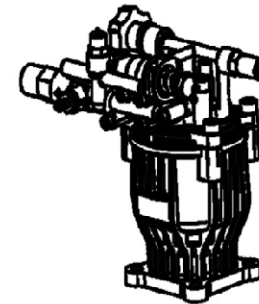
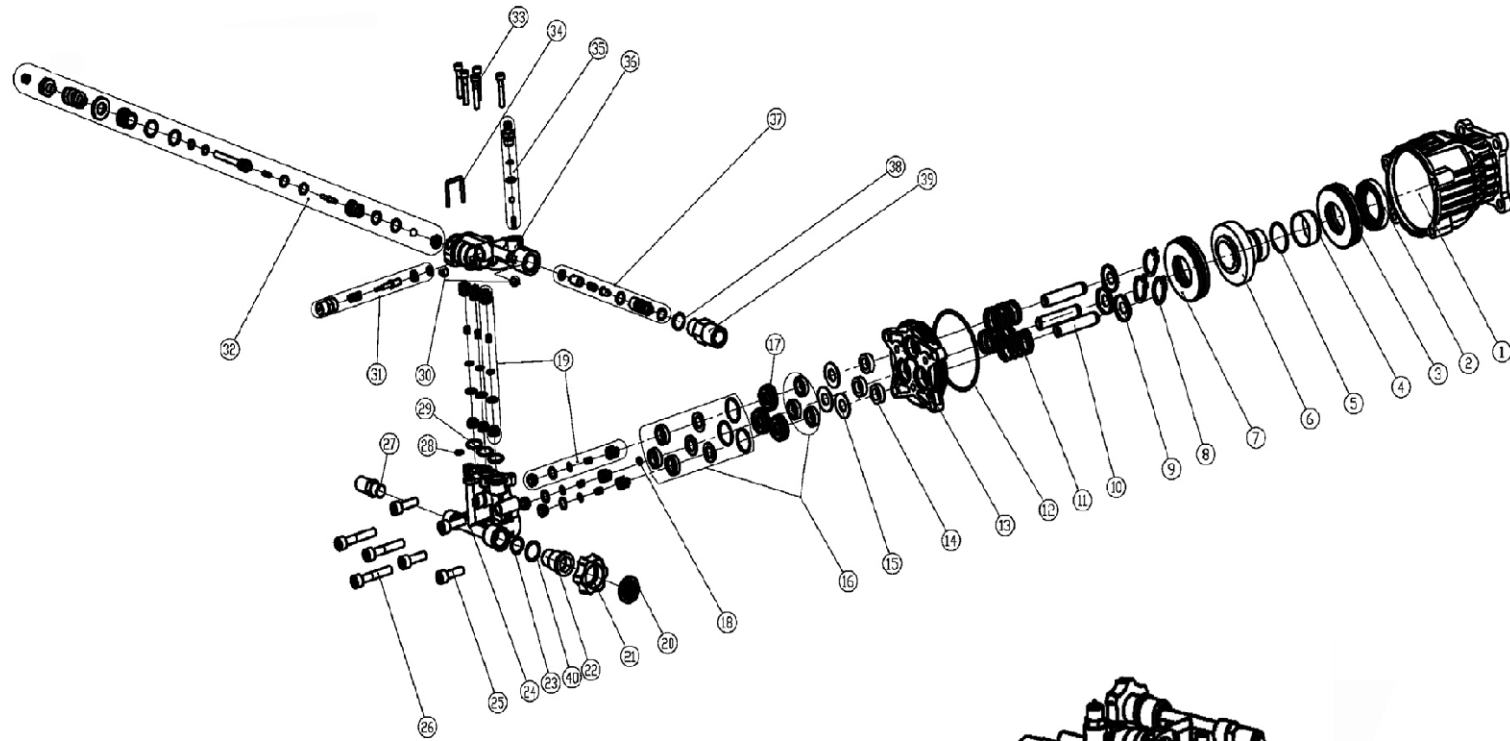


M22 ADAPTOR 14/15MM  
PART NO. 104049



KIT, SOAP HOSE & FILTER  
PART NO. 7102207

SIZE	DWG. NO.	REV.
<b>A</b>	60693-S	<b>B</b>
SCALE: N/A	ECN# DC14-0112	SHEET 4 OF 9

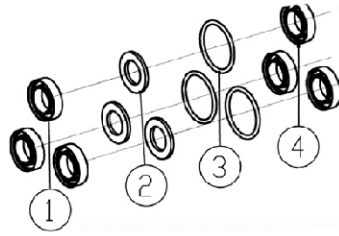


TORQUE SPECIFICATIONS			
ITEM	FT-LB	IN-LB	N-M
22	13	159	18
25	16	195	22
26	18	221	25
27	13	159	18
31	13	159	18
33	6	71	8
35	10	115	13
39	13	159	18



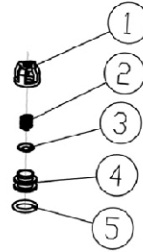
14 PART NO. 7105741

OIL SEAL KIT		
ITEM	QTY	DESCRIPTION
1	3	SEAL, OIL



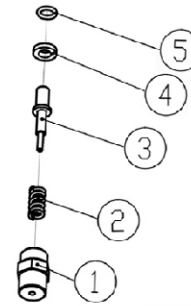
16 PART NO. 7106627

WATER SEAL KIT		
ITEM	QTY	DESCRIPTION
1	3	HIGH PRESSURE SEAL
2	3	BACK RING
3	3	O-RING
4	3	LOW PRESSURE SEAL



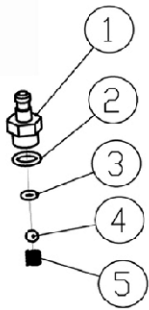
19 PART NO. 7104223

VALVE KIT		
ITEM	QTY	DESCRIPTION
1	6	VALVE CASE
2	6	SPRING
3	6	VALVE PLATE
4	6	VALVE SEAT
5	6	O-RING



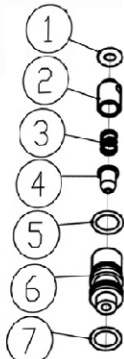
31 PART NO. 7106654

BOOST VALVE KIT		
ITEM	QTY	DESCRIPTION
1	1	VALVE CASE
2	1	VALVE SPRING
3	1	VALVE POLE
4	1	VALVE PLATE
5	1	O-RING



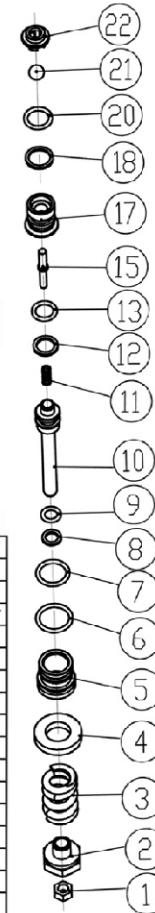
35 PART NO. 7104228

SOAP INJECTOR KIT		
ITEM	QTY	DESCRIPTION
1	1	HOSE BARB
2	1	O-RING
3	1	O-RING
4	1	STEEL BALL
5	1	SPRING



37 PART NO. 7106630

VENTURI TUBE KIT		
ITEM	QTY	DESCRIPTION
1	1	O-RING
2	1	CHECK VALVE CORE
3	1	CHECK VALVE SPRING
4	1	NOZZLE
5	1	O-RING
6	1	VENTURI TUBE
7	1	O-RING



32 PART NO. 7104226

UNLOADER KIT		
ITEM	QTY	DESCRIPTION
1	1	NUT
2	1	ADJUSTING NUT
3	1	SPRING
4	1	SEATING RING
5	1	VALVE SHEATH
6	1	O-RING
7	1	O-RING
8	1	CHECKING RING
9	1	O-RING
10	1	VALVE POLE
11	1	SPRING
12	1	CHECKING RING
13	1	O-RING
15	1	PIN
17	1	UPPER SEAT
18	1	CHECKING RING
20	1	O-RING
21	1	STEEL BALL
22	1	BACK SEAT

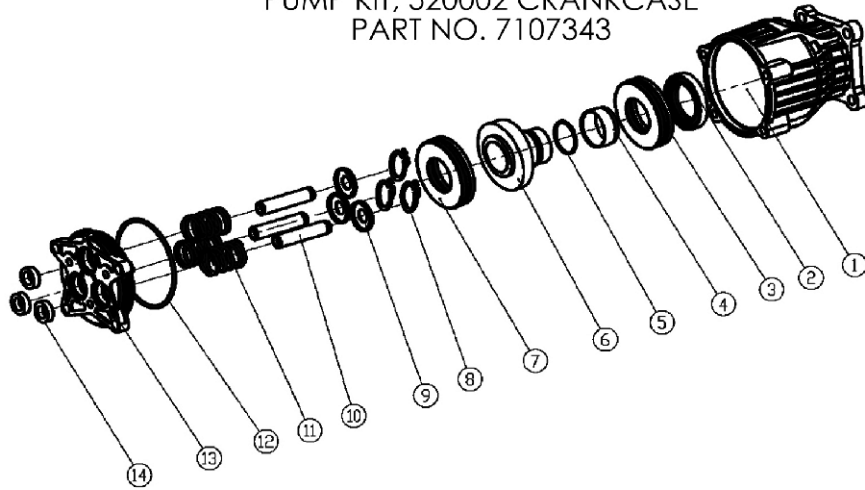
### 520002 PUMP DRAWING PARTS LIST

ITEM	PART NO.	DESCRIPTION	QTY PER PUMP	COMMENT
1	7106683	Case	1	
2	7106632	Oil Seal	1	
3	7106633	Thrusting Bearing 2	1	
4	7106673	Back Ring, Wobble Plate	1	
5	7106674	O-Ring	1	
6	7106675	Wobble Plate	1	
7	7106635	Thrusting Bearing 1	1	
8	7106636	Clip	3	
9	7106637	Spring Base	3	
10	7106638	Plunger	3	
11	7106639	Spring, Plunger	3	
12	7106676	O-Ring	1	
13	7106677	Base, Plunger	1	
14	7105741	Oil Seal	3	Oil Seal Kit
15	7106642	Back Ring	3	
16	7106627	High Pressure Water Seal Back Ring O-Ring Low Pressure Water Seal	3	Water Seal Kit
17	7106643	Back Ring	3	
18	7106644	O-Ring	1	
19	7104223	Valve Case Spring Valve Plate Valve Seat O-Ring	6	Valve Kit (INLET AND OUTLET)
20	7000123	Filter Gasket	1	
21	7105705	Nut	1	
22	7106678	Inlet Connector	1	
23	7106651	O-Ring	1	
24	7106679	Pump Head	1	
25	7106648	Screw	4	
26	7106649	Screw	3	
27	7101359	Thermal Protector	1	
28	7106680	O-Ring	1	
29	7106681	O-Ring	3	
30	7005061	Nut Plug	2	

### 520002 PUMP DRAWING PARTS LIST

ITEM	PART NO.	DESCRIPTION	QTY PER PUMP	COMMENT
31	7106654	Boost Valve Case Boost Valve Spring Boost Valve Pole Boost Valve Plate O-Ring	1	Pressure Boost Valve Kit
32	7104226	Nut Adjusting Nut Spring Seating Ring Valve Sheath O-Ring O-Ring Checking Ring O-Ring Valve Pole Spring Checking Ring O-Ring Pin Upper Seat Checking Ring O-Ring Steel Ball Back Seat	1	Unloader Kit
33	7106682	Screw	5	
34	7106655	U-Pin	1	
35	7104228	Nozzle O-Ring O-Ring Spring Steel Ball	1	Soap Injector Kit
36	7106687	Manifold	1	
37	7106630	O-Ring Checking Valve Core Checking Valve Spring Nozzle O-Ring Venturi Tube O-Ring	1	Venturio Tube Kit
38	7106651	O-Ring	1	
39	7106686	Outlet Connector	1	
40	7106652	O-Ring	1	

PUMP KIT, 520002 CRANKCASE  
PART NO. 7107343

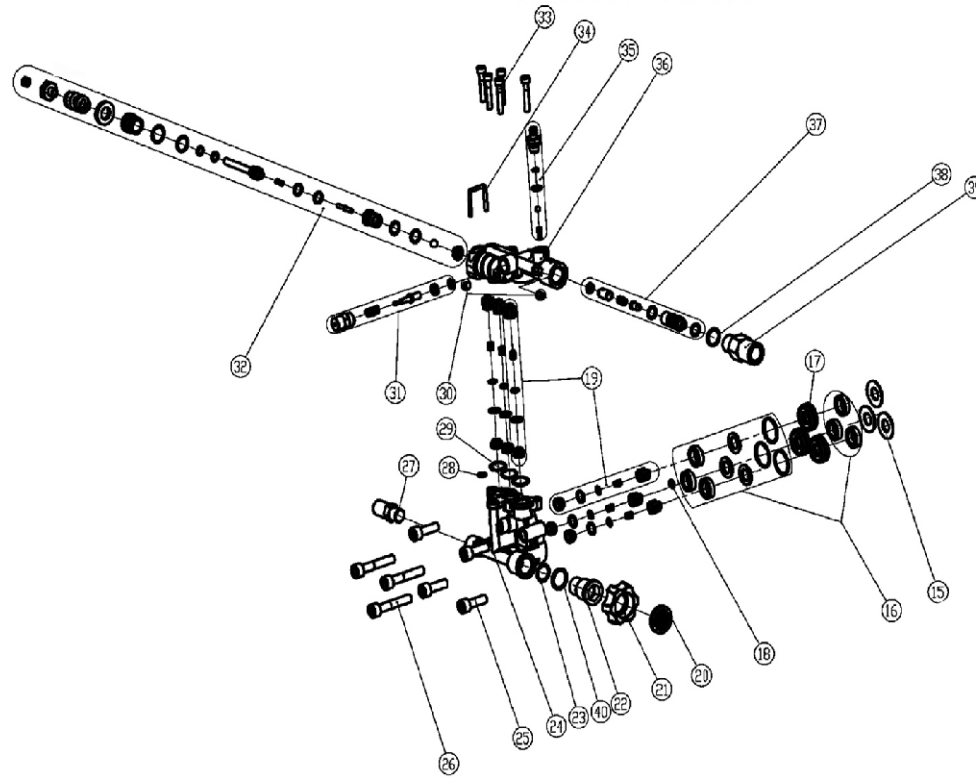


**520002 PUMP DRAWING PARTS LIST**

ITEM	PART NO.	DESCRIPTION	QTY PER PUMP	COMMENT
1	7106683	Case	1	
2	7106632	Oil Seal	1	
3	7106633	Thrusting Bearing 2	1	
4	7106673	Back Ring, Wobble Plate	1	
5	7106674	O-Ring	1	
6	7106675	Wobble Plate	1	
7	7106635	Thrusting Bearing 1	1	
8	7106636	Clip	3	
9	7106637	Spring Base	3	
10	7106638	Plunger	3	
11	7106639	Spring, Plunger	3	
12	7106676	O-Ring	1	
13	7106677	Base, Plunger	1	
14	7105741	Oil Seal	3	Oil Seal Kit



PUMP KIT, 520002 MANIFOLD  
PART NO. 7107344



520002 PUMP DRAWING PARTS LIST

16	F10042	Back Ring	3	
		Long Premium Water Seal		
		Back Ring		
16	F10042	C-Fitting	3	Water Seal Kit
		Short Premium Water Seal		
17	F10044	Back Ring	3	
		C-Fitting		
18	F10044	C-Fitting	1	
		Water Case		
19	F10020	2" Valve	6	Valve Kit (INLET AND OUTLET)
		2" Valve		
		Water Seal		
		C-Fitting		
20	F10020	Flare Connector	1	
21	F10020	Flare	1	
22	F10043	Flare Connector	1	
23	F10043	C-Fitting	1	
24	F10043	Flare Nut	1	
25	F10044	Flare Nut	4	
26	F10044	Flare	3	
27	F10020	Flare Connector	1	
28	F10040	C-Fitting	1	
29	F10040	C-Fitting	3	
30	F10040	Ball Valve	2	
		Ball Valve Case		
31	F10040	Ball Valve Case	1	Pressure Relief Valve Kit
		Ball Valve Spring		
		Ball Valve Pin		
		Ball Valve Pin		
		C-Fitting		
		Ball		
		Ball Nut		
		Spring		
		Spring Pin		
		Water Case		
		C-Fitting		
		C-Ring		
		Checking Valve		
		C-Fitting		
32	F10020	Water Case	1	Lineator Kit
		Water Case		
		Checking Valve		
		C-Fitting		
		Pin		
		Ball Nut		
		Checking Valve		
		C-Fitting		
		Ball Nut		
33	F10040	Ball Valve	5	
34	F10040	C-Fitting	1	
		Water		
35	F10040	C-Fitting	1	Suction Injector Kit
		Water		
		Ball Nut		
36	F10040	Water Case	1	
		C-Fitting		
		Checking Valve Case		
		Checking Valve Spring		
37	F10030	Water Case	1	Vertical Tank Kit
		C-Fitting		
		Water Case		
		C-Fitting		
38	F10040	C-Fitting	1	
39	F10040	Water Connector	1	
40	F10040	C-Fitting	1	